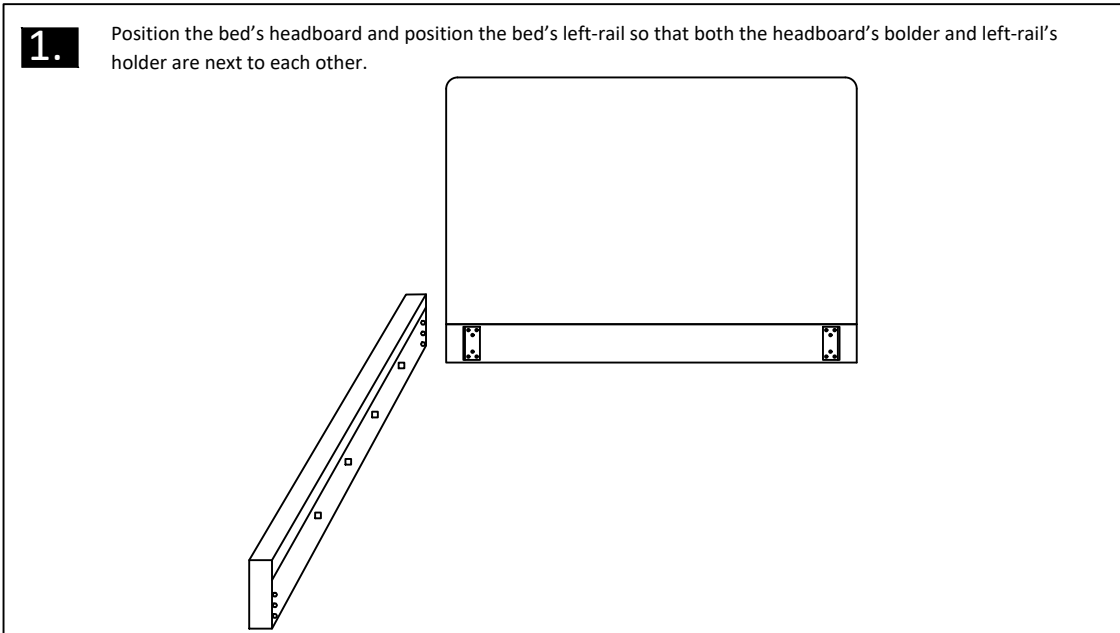
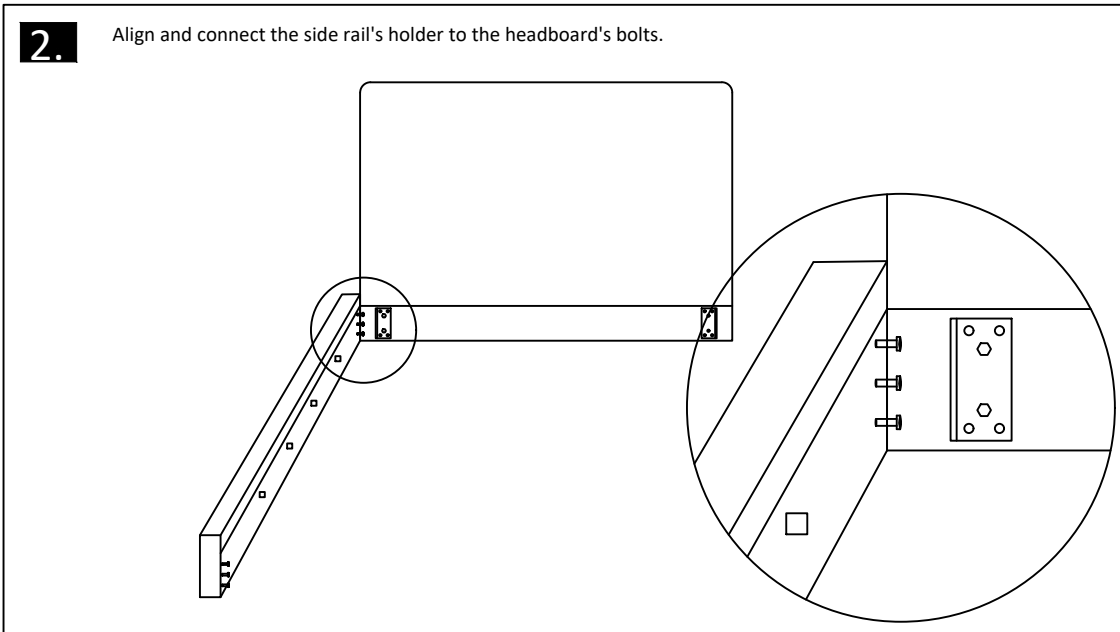


- 1.** Position the bed's headboard and position the bed's left-rail so that both the headboard's bolder and left-rail's holder are next to each other.

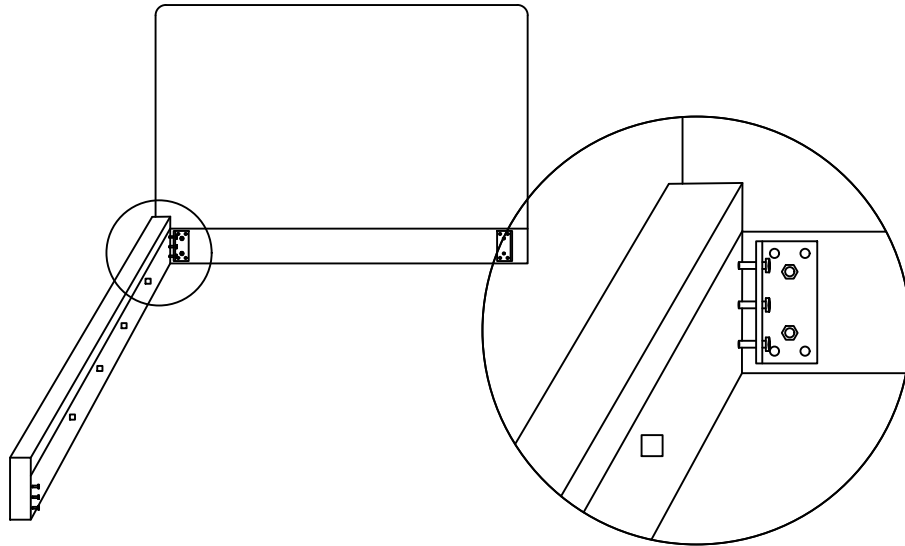


- 2.** Align and connect the side rail's holder to the headboard's bolts.



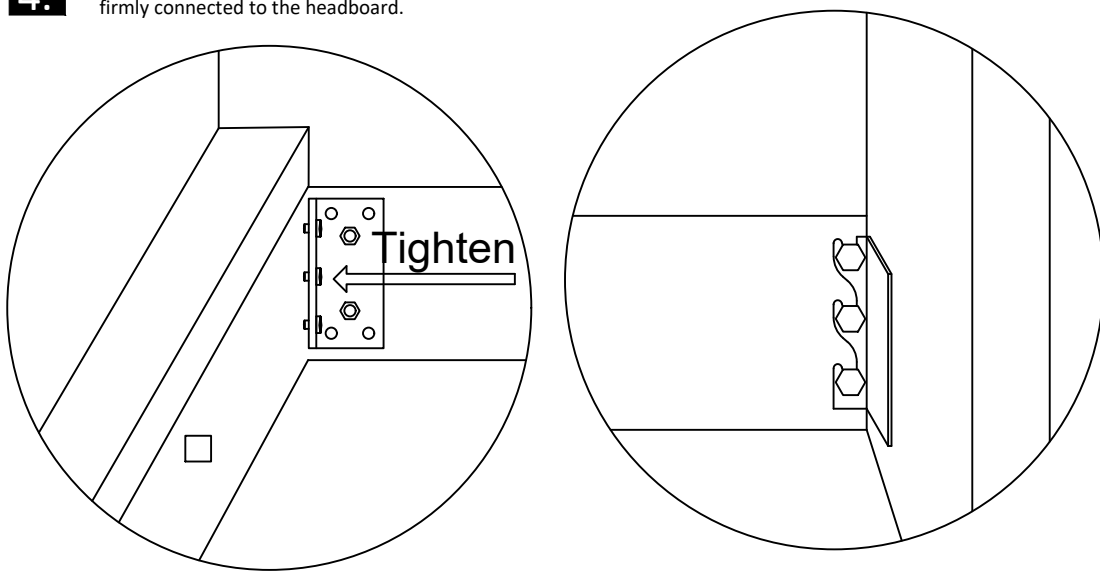
3.

Secure the left-rail's holder to the headboard's bolts by tightening the bolts.



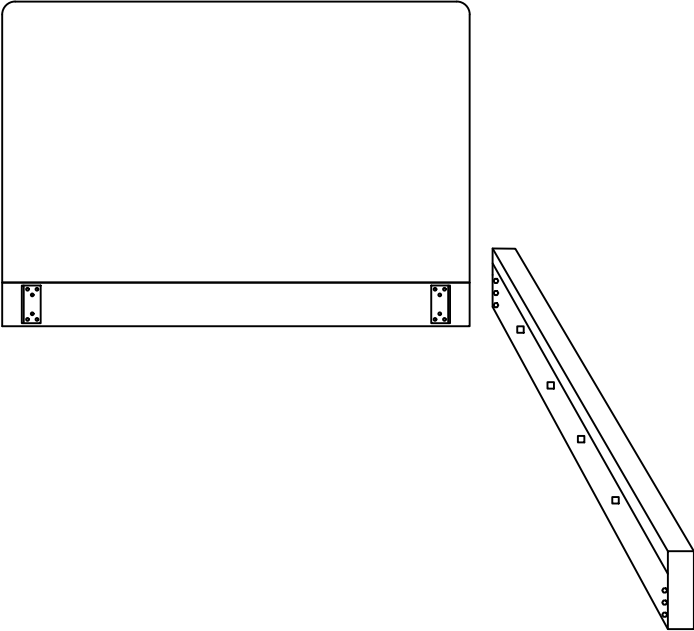
4.

Tools can be used to tighten bolts and ensure that side rail is firmly connected to the headboard.



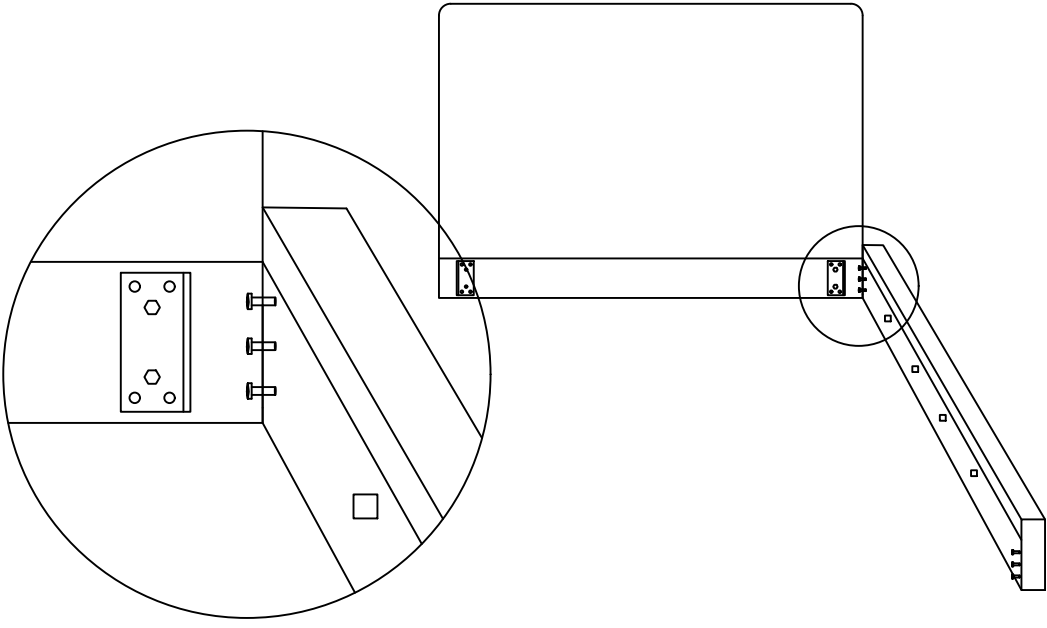
5.

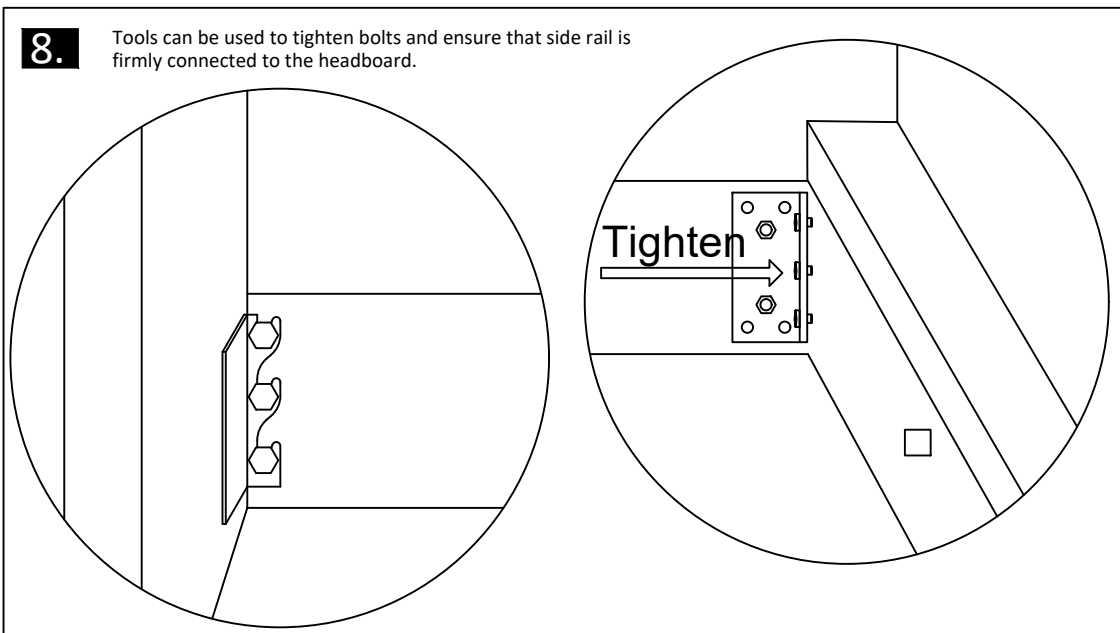
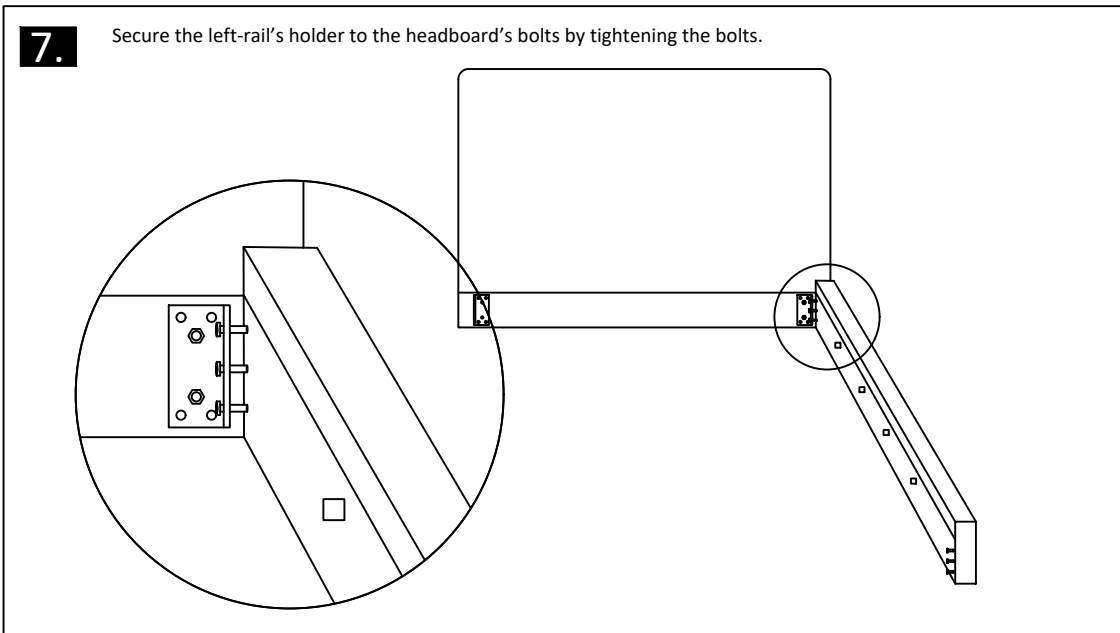
Position the bed's headboard and position the bed's left-rail so that both the headboard's bolder and left-rail's holder are next to each other.



6.

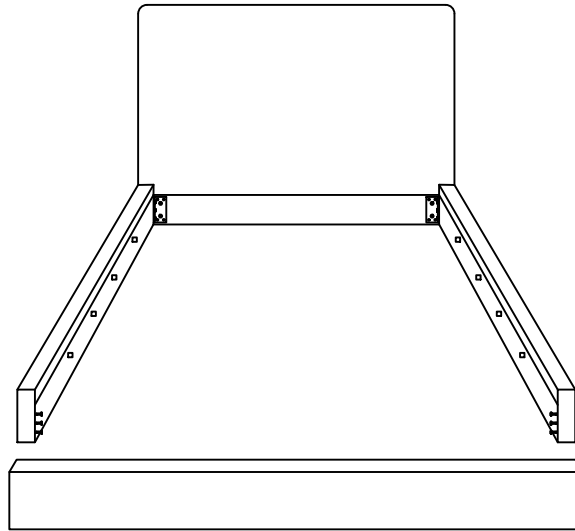
Align and connect the side rail's holder to the headboard's bolts.





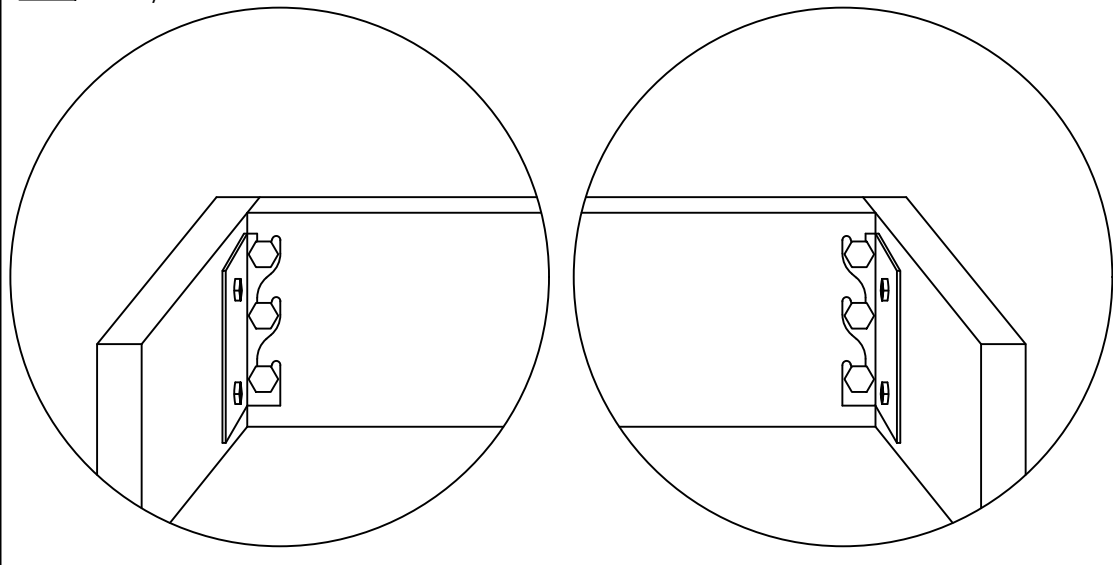
9.

Align and attach the footboard's holders to the side rails' bolts.



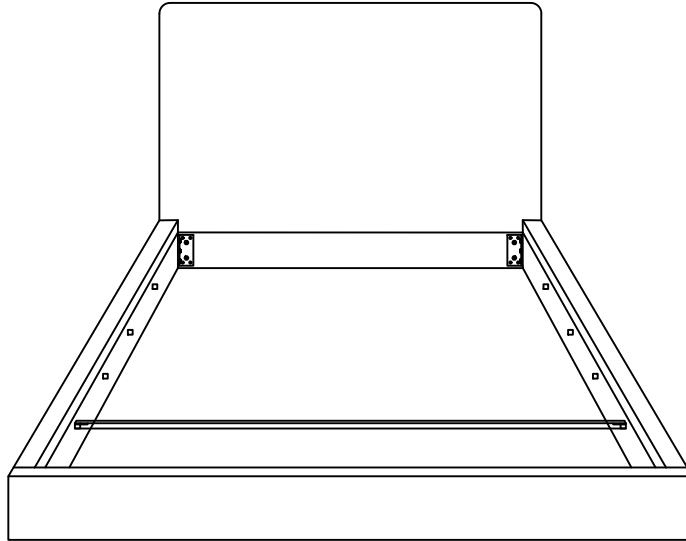
10

Tools can be used to tighten bolts and ensure that side rail is firmly connected to the headboard.



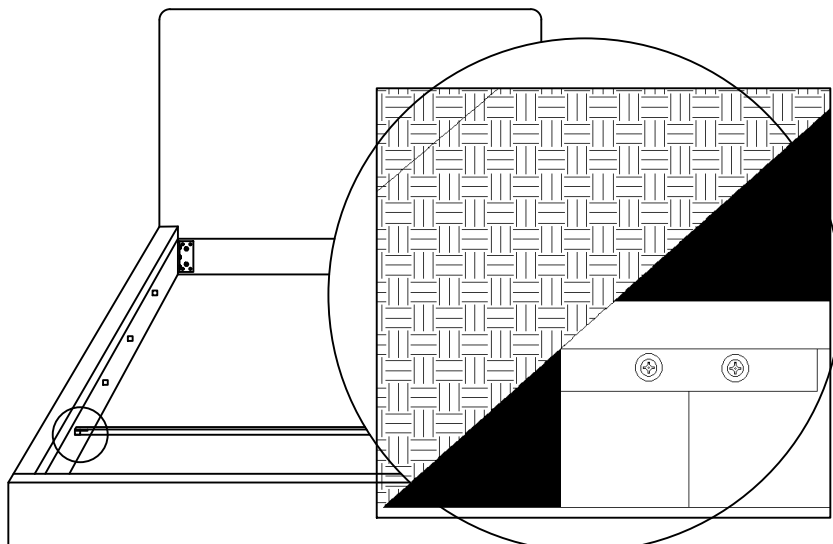
11

Insert a wooden slat into the first bracket, identifiable with added metal braces.



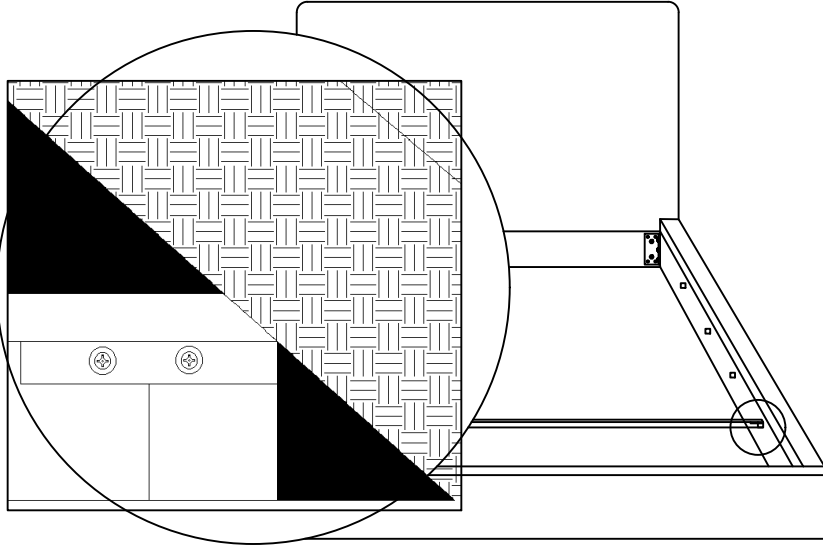
12

Insert two square-headed screws into the metal braces of the first slots, securing the first slat.



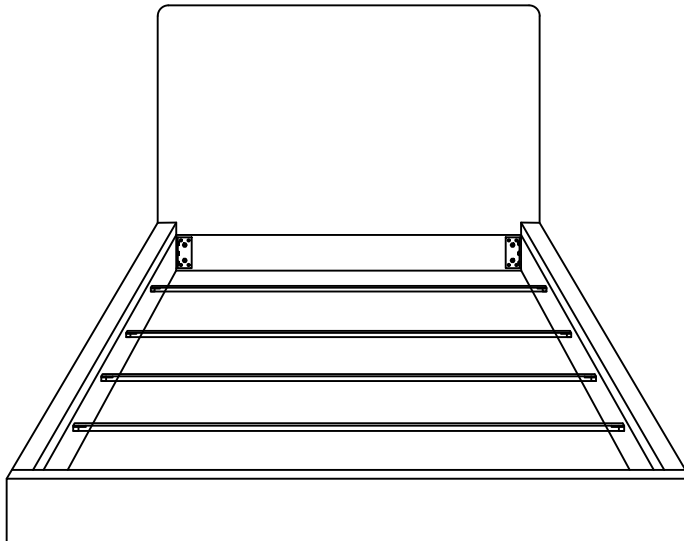
13

Repeat for the other end of the wooden slat and secure with two square-headed screws.

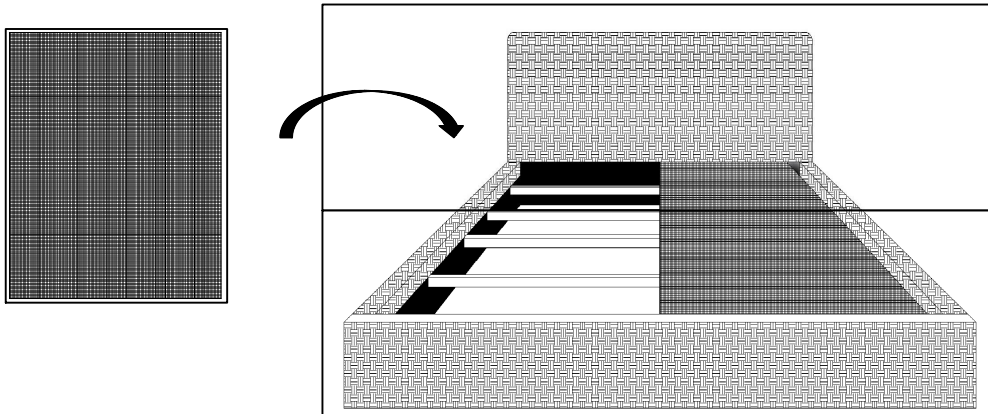


14

Insert remaining wooden slats. Unlike the first slat, these do not have to be screwed in to be secured.



13 Position both Bunkie boards to lay atop the exposed wooden slats.



14 Enjoy your newly assembled bed!

